

Rocna and Vulcan Anchor Dimensions

www.rocna.com



HOW DO I CONFIRM A ROCNA OR VULCAN ANCHOR WILL FIT MY VESSEL?

To ensure that your new Rocna or Vulcan anchor will fit well on your boat's bow, there are a number of resources to assist you:

BASIC DIMENSIONS

Measurements important to the fitting of the anchor on a bow roller are reproduced on the reverse of this sheet, and may also be downloaded from www.rocna.com/distributable/patterns. Using these drawings and a tape measure, many boaters can easily determine that a Rocna or Vulcan will fit their boat.

FULL SCALE PATTERNS

A 2D side-profile of any size anchor may be produced by using the full scale patterns available from www.rocna.com/distributable/patterns. The pattern may be printed on any standard printer on A4 or letter paper, then assembled to form a full scale mockup. You may use these patterns to evaluate a fit that may be more difficult to determine just from the basic dimensions on this sheet.

KNOWLEDGE BASE

The Rocna Knowledge Base at kb.rocna.com/kb features a large and ever-growing collection of "boat fit cases", with photos and other information, under **Rocna bow compatibility**. Popular production boats are covered, and examples of other owners of your boat type successfully fitting a Rocna or Vulcan will allow you to invest with confidence.

Also included are articles and recommendations on the topic of custom **bow roller assembly design**.

3D OR 2D CAD FILES

We are able to supply naval architects or boat builders with accurate CAD files of all Rocna and Vulcan models to support the proper integration of the anchor into a boat's ground tackle system. Contact us at support@rocna.com, and with the execution of a simple terms of use agreement these CAD files may be made available.

WHAT SIZE ANCHOR DO I NEED?

Please find our sizing chart for Rocna and Vulcan anchors on our brochure, attached to anchors in stores, or on our website.

WILL A ROCNA OR VULCAN SELF-LAUNCH?

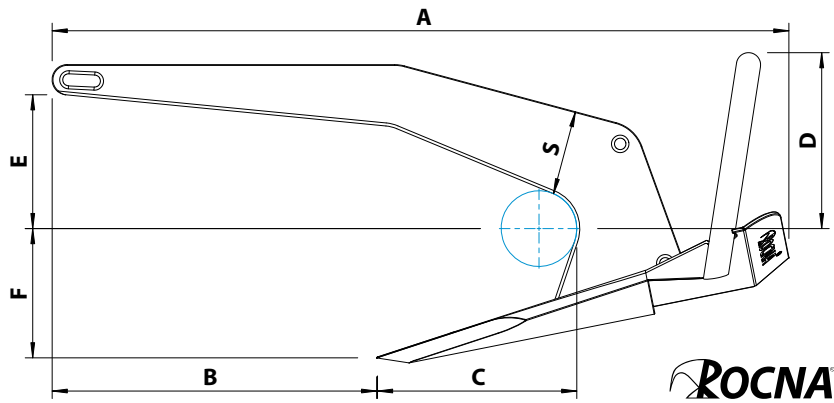
Both the Rocna and Vulcan anchors have shank shapes that are designed to self-launch and encourage self-righting on retrieval, ensuring ease of use for all operators.

WHICH WILL FIT BEST, ROCNA OR VULCAN?

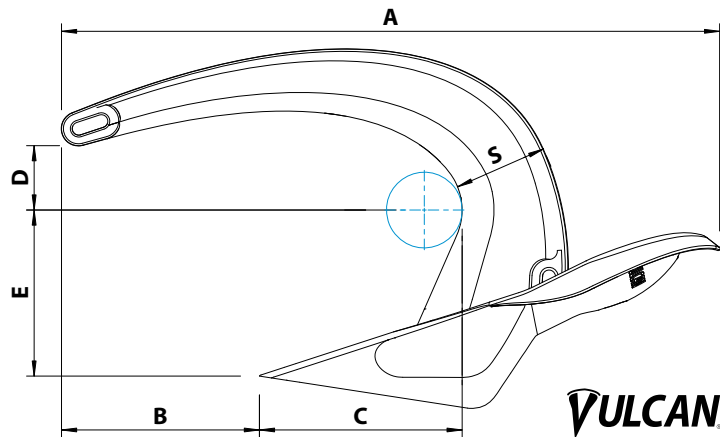
The Rocna anchor has "set the bar" for the highest performance and reliability when put to the test. The Vulcan infuses as many as possible of the proven performance advantages of its elder sibling, while being specifically designed to fit a wider range of vessels. For the Vulcan, the omission of a roll-bar along with a carefully designed shank profile ensures a snug fit on bows. Platforms, bowsprits, prods, stays, and other protrusions are easily cleared.

Rocna and Vulcan Anchor Dimensions

www.rocna.com



Model	ROCNA																			
	Weight		Fluke area		A		B		C		D		E		F		S		Width	
	kg	lb	cm ²	in ²	mm	inch	mm	inch	mm	inch	mm	inch	mm	inch	mm	inch	mm	inch	mm	inch
4	4	9	460	71	547	21.5	234	9.2	154	6.1	133	5.2	96	3.8	103	4.1	75	3.0	275	10.8
6	6	13	590	91	630	24.8	270	10.6	170	6.7	150	5.9	102	4.0	123	4.8	80	3.1	315	12.4
10	10	22	795	123	724	28.5	312	12.3	204	8.0	174	6.9	130	5.1	133	5.2	90	3.5	365	14.4
15	15	33	1030	160	830	32.7	360	14.2	235	9.3	205	8.1	145	5.7	156	6.1	100	3.9	415	16.3
20	20	44	1140	177	864	34.0	373	14.7	244	9.6	220	8.7	162	6.4	158	6.2	110	4.3	435	17.1
25	25	55	1415	219	971	38.2	420	16.5	275	10.8	233	9.2	175	6.9	184	7.2	115	4.5	485	19.1
33	33	73	1695	263	1066	42.0	485	19.1	280	11.0	254	10.0	180	7.1	206	8.1	120	4.7	532	20.9
40	40	88	1945	301	1142	45.0	520	20.5	300	11.8	278	10.9	188	7.4	224	8.8	130	5.1	570	22.4
55	55	121	2300	357	1235	48.6	560	22.0	323	12.7	306	12.0	225	8.9	226	8.9	150	5.9	620	24.4
70	70	154	2690	417	1338	52.7	607	23.9	354	13.9	330	13.0	240	9.4	250	9.8	155	6.1	670	26.4
110	110	243	3330	516	1490	58.7	675	26.6	390	15.4	352	13.9	265	10.4	286	11.3	180	7.1	745	29.3
150	150	331	4630	718	1725	67.9	779	30.7	449	17.7	416	16.4	318	12.5	317	12.5	203	8.0	867	34.1
200	200	441	5905	915	1901	74.8	859	33.8	494	19.4	462	18.2	349	13.7	351	13.8	224	8.8	953	37.5
275	275	606	6690	1037	2143	84.4	967	38.1	558	22.0	517	20.4	394	15.5	394	15.5	253	10.0	1049	41.3



Model	VULCAN																	
	Weight		Fluke area		A		B		C		D		E		S		Width	
	kg	lb	cm ²	in ²	mm	inch	mm	inch	mm	inch	mm	inch	mm	inch	mm	inch	mm	inch
4	4	9	420	65	472	18.6	142	5.6	145	5.7	46	1.8	119	4.7	67	2.6	258	10.2
6	6	13	560	87	541	21.3	163	6.4	167	6.6	53	2.1	136	5.4	77	3.0	296	11.6
9	9	20	730	113	619	24.4	186	7.3	191	7.5	61	2.4	156	6.1	88	3.5	339	13.3
12	12	27	880	136	681	26.8	205	8.1	210	8.3	67	2.6	172	6.8	97	3.8	373	14.7
15	15	33	1020	158	734	28.9	221	8.7	226	8.9	72	2.8	185	7.3	104	4.1	402	15.8
20	20	44	1240	192	808	31.8	243	9.6	249	9.8	79	3.1	204	8.0	115	4.5	442	17.4
25	25	55	1440	223	870	34.3	262	10.3	268	10.6	85	3.4	220	8.6	124	4.9	476	18.7
33	33	73	1730	268	955	37.6	287	11.3	294	11.6	93	3.7	241	9.5	136	5.3	522	20.6
40	40	88	1970	305	1018	40.1	306	12.1	313	12.3	100	3.9	257	10.1	145	5.7	557	21.9
55	55	121	2430	377	1132	44.6	340	13.4	349	13.7	111	4.4	286	11.2	161	6.3	619	24.4

The descriptions and guidelines shown in this literature should be used as a general reference only. For any further technical information please contact our Technical Service. The contents of this sheet are based on the latest information available at the time of publication. CMP / Rocna Anchors assumes no responsibility for the accuracy of the information contained herein. Product specifications are subject to change without notice. Not for production purposes. Copyright © Rocna Anchors 2004–2014. All rights reserved.